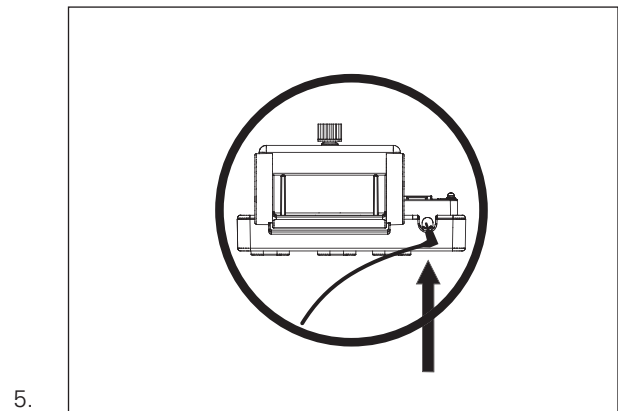
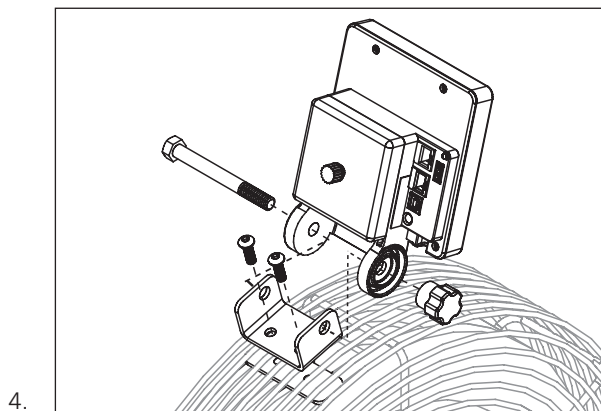
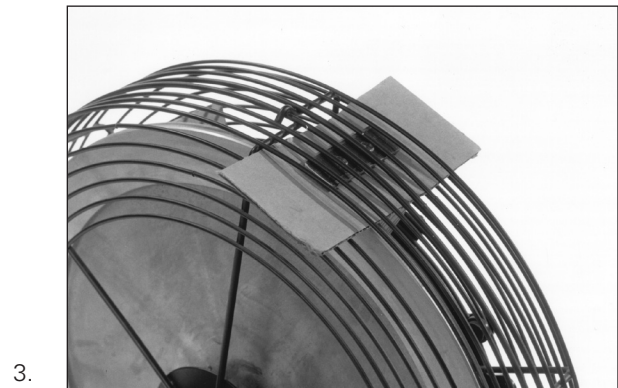
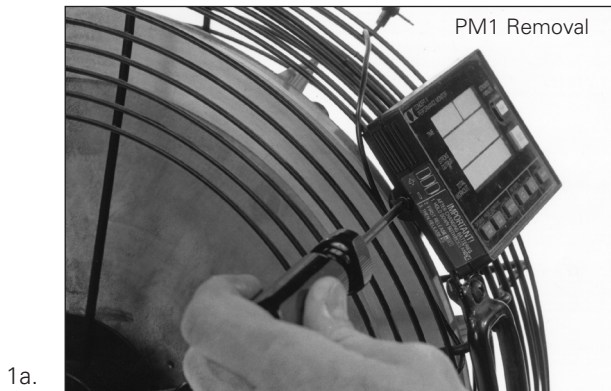


# RETROFIT OR REPLACE PM5 ON MODEL B

1214



**Note:** The performance monitor has been factory-programmed to prevent possible battery drainage during shipping. To restore power, plug in the pickup cable from your indoor rower and pull on the handle.

**Troubleshooting:** If the PM malfunctions or does not “wake up,” reset PM by performing one of the following procedures:

- Insert a pen/pencil tip into the reset hole on the back and press lightly.
- Remove and reinsert the batteries.
- Replace the batteries with two new alkaline D-cell (LR20) batteries.

Firmware is the computer program that is embedded in and runs your PM5. We recommend running the most current firmware. Periodic firmware updates are available for free download at [concept2.com/pm5firmware](http://concept2.com/pm5firmware).