

# GENERATOR COIL REPLACEMENT

for RowErg and Model D with Device Holder



800.245.5676 info@concept2.com concept2.com

## TOOLS

\*not included



Phillips head screwdriver



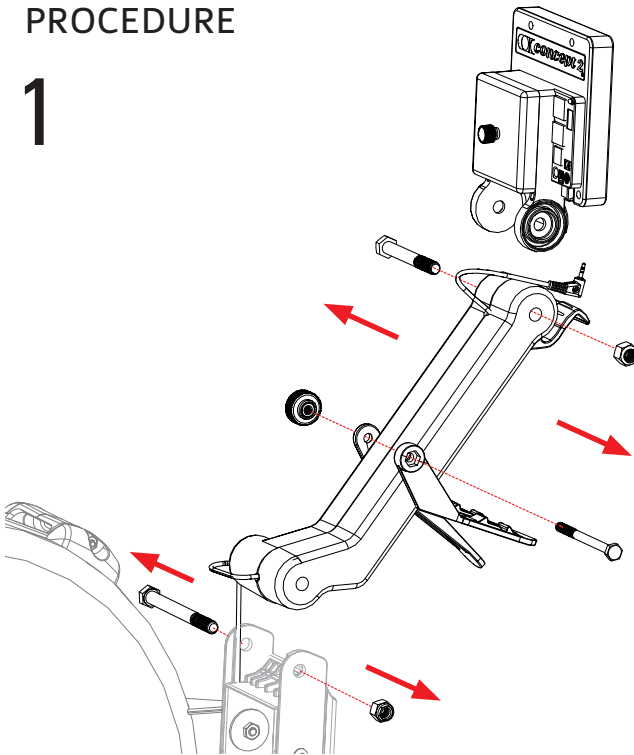
9/16 inch wrench (x2)



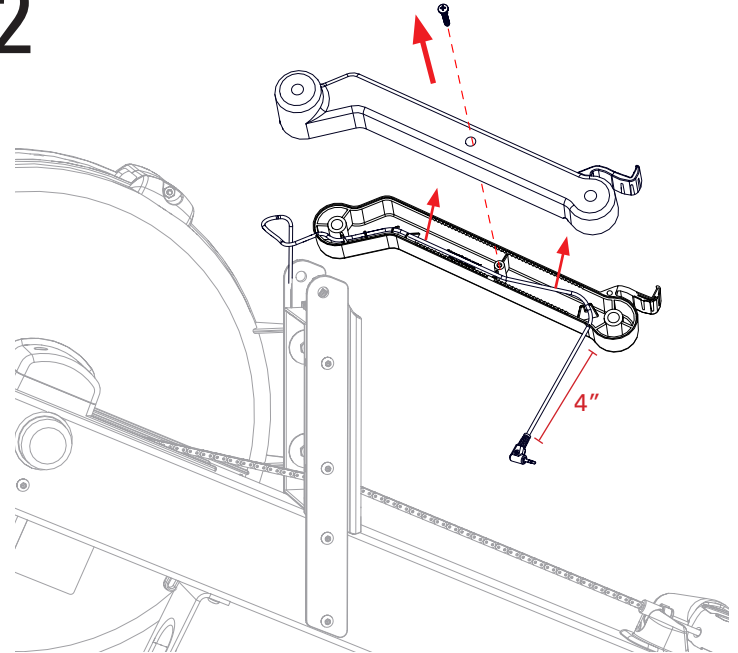
c2vt.com/REcoil

## PROCEDURE

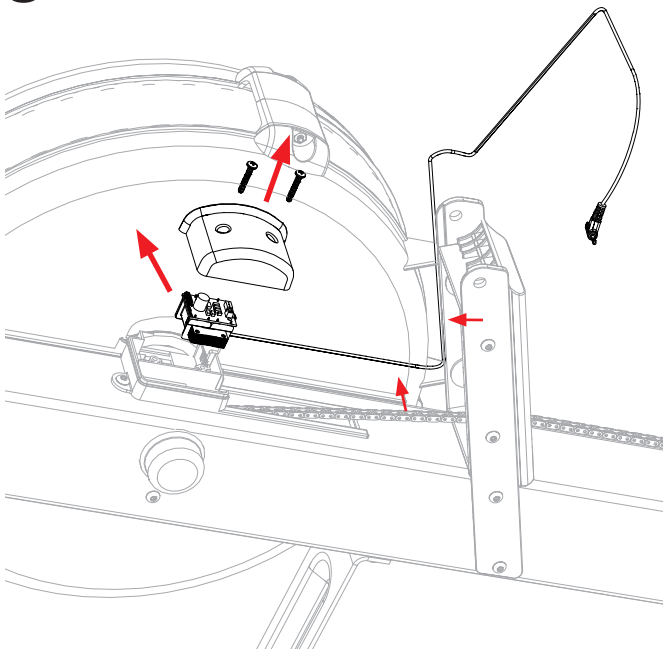
# 1



# 2



# 3



# 4

Insert new generator coil as shown and follow steps in reverse to reassemble.

