

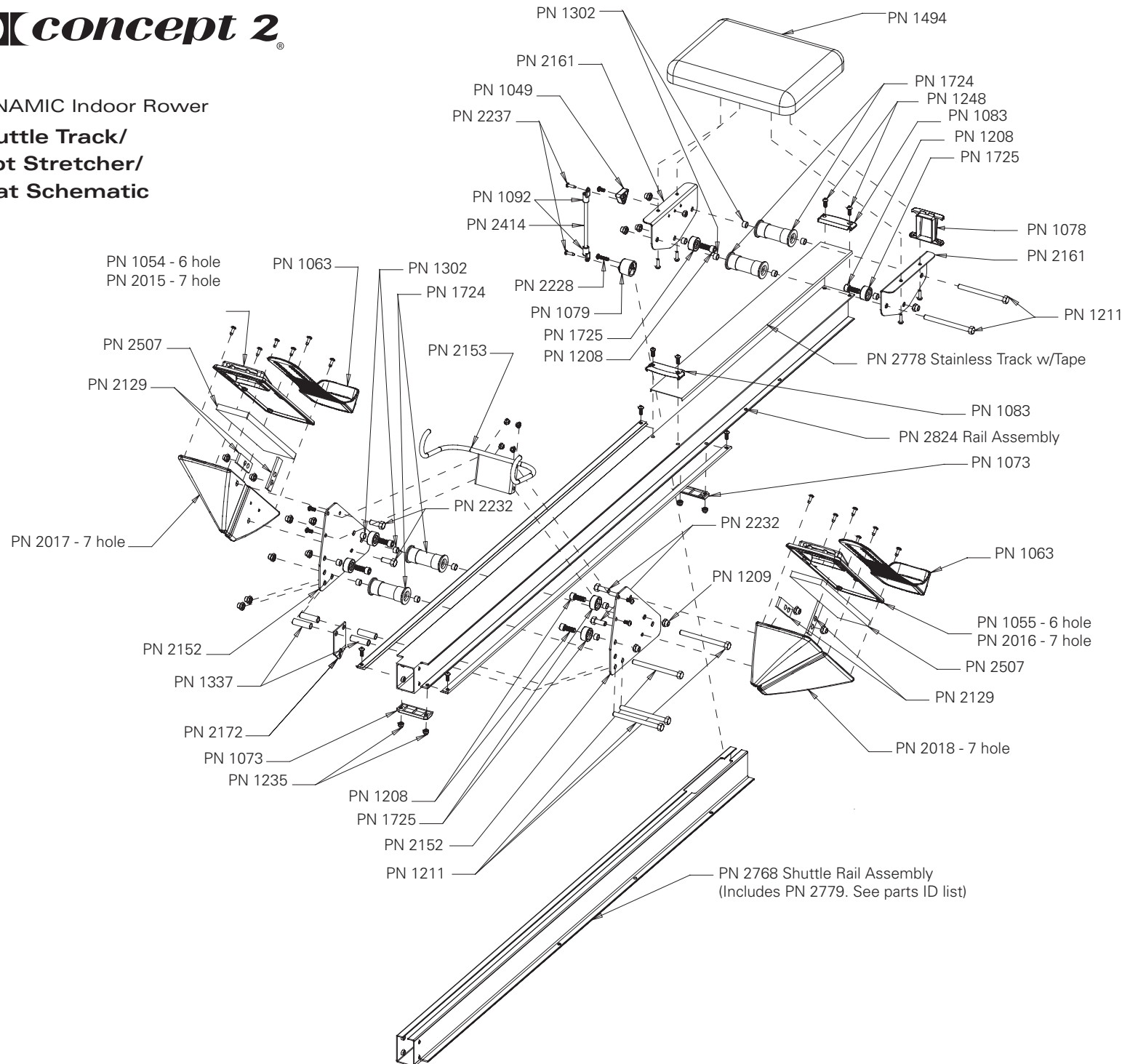
### Part Identification List

PN	Description
125	WASHER 3/8 B/C/D/E
327	NUT #10 STAINLESS STEEL
1010	BEARING COVER C/D
1013	BEARING CUP R8 C/D
1035	PERF CONNECTOR SCREW SIDE D/E
1036	PERF CONNECTOR NUT SIDE D/E
1048	FLYWHEEL COVER BACK
1059	FOOTCASTER ASSEMBLY FLYWHEEL SIDE
1060	FOOTCASTER ASSEMBLY NON-FLYWHEEL SIDE
1061	DAMPER D2 & E
1067	HUB CAP MODEL D2 & E
1072	CHAIN ANTI-SKIP
1076	RETURN MECHANISM END CAP
1084	GENERATOR BASE DYNAMIC ROWER
1085	GENERATOR COVER DYNAMIC ROWER
1086	FLYWHEEL COVER FRONT
1164	PERF OUTLET D/E
1232	WASHER 1/4 X 1 1/4 BX FENDER
1232	WASHER 1/4 X 1 1/4 BX FENDER
1249	NUT 1/4-20 ZP THIN NYLOCK
1273	SCREW 10 X 3/4 PAN PH TYPE B SS
1274	SCREW PAN PH #6 X 2 SS
1275	NUT #6 STAINLESS STEEL
1276	SCREW 10X3 PAN PH SS
1278	WASHER WAVE
1279	#8 PAN HEAD PHILIPS SS TYPE B
1315	BEARING 6001-ZZ ABEC-3
1334	SPACER DRIVE TRAVELING PULLEY
1341	LARGE SPROCKET SPACER 40MM
1388	SMALL SPROCKET SPACER 19MM
1912	OUTLET PERF WITH CONNECTORS AND SCREW ASSEMBLY D/E/DYNAMIC
2120	SMALL SPACER 12MM DRIVE LIVE AXLE
2151	SHUTTLE PULLEY PLATE
2159	REAR LEG
2160	RETURN MECHANISM BOX
2225	SCREW 1/4-20x4" HEX CAP SS
2226	SCREW 6-LOBE BH 1/4-20 X 1/2 SCOTCHGRIP SS
2238	SCREW #8 X 1/2 SELF DRILLING SS
2239	SCREW 1/4-20 X 3/8 6-LOBE T27 BH SS SCOTCHGRIP
2243	SCREW 1/4-20 X 7/8 ZP PHILIPS
2409	GENERATOR PCB COIL ASSEMBLY
2777	SPROCKET WITH CLUTCH ASSEMBLY
2815	DRIVE ROPE SHUTTLE PULLEY WITH BEARING ASSEMBLY DYNAMIC ROWER
2820	CHAIN DRIVE PULLEY W BEARING ASSEMBLY DYNAMIC ROWER
2825	REAR FOOT DYNAMIC ROWER ASSEMBLY
2826	CHAIN WITH DEAD END CONNECTOR
2840	FLYWHEEL BALANCED DYNAMIC ROWER ASSEMBLY
2828	OUTER COVER ASSEMBLY

DYNAMIC Indoor Rower  
**Rear Leg/  
 Flywheel/  
 Return Mechanism Schematic**



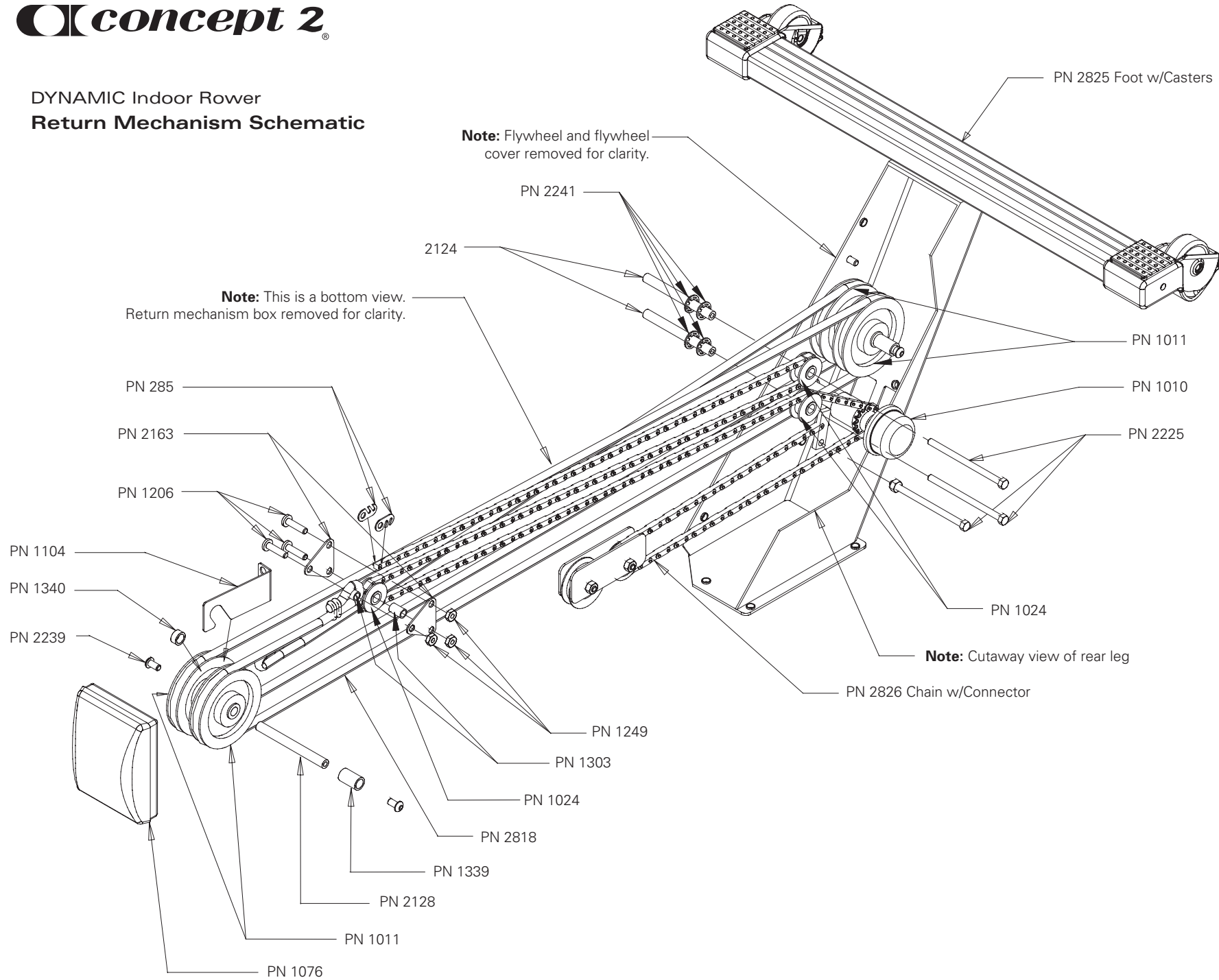
DYNAMIC Indoor Rower  
**Shuttle Track/  
 Foot Stretcher/  
 Seat Schematic**



Part Identification List

PN	Description
1049	ATTACHMENT DEVICE SHOCK CORD TO SEAT
1054	FOOT STRETCHER COVER RIGHT - 6 HOLES
1055	FOOT STRETCHER COVER LEFT - 6 HOLES
1063	FLEXFOOT GREY SPARE PART ONLY
1073	FOOT CARRIAGE END STOP
1078	MONORAIL END CAP
1079	SEAT SHOCK CORD ANCHOR
1083	FRONT SEAT STOP
1092	SHOCK CORD CUP
1208	SCREW 3/8-16 X 1.25 LOW PRO SH
1209	NUT 3/8-16 BC NYLOCK
1211	SCREW 3/8-16 X 4.5 BC
1235	NUT 1/4-20 NYLOCK SS C
1248	SCREW 6-LOBE BH 1/4-20 X 3/4 SS
1302	SPACER SMALL SEAT
1337	SPACER DRIVE PLATE
1494	SEAT TOP D2 & E
1724	SEAT ROLLER TOP C/D/E
1725	SEAT ROLLER BOTTOM C/D/E
2015	FOOT STRETCHER COVER RIGHT - 7 HOLES
2016	FOOT STRETCHER COVER LEFT - 7 HOLES
2017	BELLY RIGHT FOOT STRETCHER - 7 HOLES
2018	BELLY LEFT FOOT STRETCHER - 7 HOLES
2129	REINFORCING BRACKETS FOOTSTRETCHER 3/8
2152	FOOT STRETCHER CARRIAGE FOR MONORAIL
2153	HANDLE HOOK
2161	SEAT BRACKET
2172	DRIVE PLATE HOOK
2228	SCREW 6-LOBE BH 1/4-20 X 1-3/8 SCOTCHGRIP
2232	SCREW HEX CAP 3/8-16X1" ZP
2232	SCREW HEX CAP 3/8-16X1" ZP
2237	SCREW #8 X 5/8" WOOD ROUND HD PHILIPS ZP 2/3
2414	SEAT SHOCK CORD ASSEMBLY DYNAMIC ROWER
2507	WEIGHT PLATE DYNAMIC ROWER
2778	TRACK / TAPE ASSEMBLY DYNAMIC
2768	SHUTTLE RAIL WITH TAPE ASSEMBLY DYNAMIC
2779	SOUND DAMPENING PLASTIC & FOAM TAPE ASSEMBLY
2824	MONORAIL ASSEMBLY DYNAMIC

DYNAMIC Indoor Rower  
Return Mechanism Schematic



Part Identification List

PN	Description
285	CHAIN CONNECTOR SMALL B/C/D/E
1010	BEARING COVER C/D
1011	SHOCK CORD PULLEY C/D/E
1024	PULLEY CHAIN IDLER C/D/E
1076	RETURN MECHANISM END CAP
1104	SCAM C/D/E
1206	SCREW 1/4-20 X 1 ZP PHILIPS
1249	NUT 1/4-20 ZP THIN NYLOCK
1303	SPACER TRAVELING PULLEY
1339	SPACER SHOCK CORD PULLEY AXLE LARGE PLASTIC
1340	SPACER SHOCK CORD PULLEY AXLE SMALL PLASTIC
2124	AXLE IDLER PULLEY
2128	AXLE SHOCK CORD PULLEY
2163	SHOCK CORD TRAVELING PULLEY PLATE
2225	SCREW 1/4-20x4" HEX CAP SS
2239	SCREW 1/4-20 X 3/8 6-LOBE T27 BH SS SCOTCHGRIP DYNAMIC ROWER
2241	RETAINING RING EXTERNAL SELF LOCKING 3/8 DYNAMIC ROWER
2818	SHOCK CORD DYNAMIC ROWER
2825	REAR FOOT DYNAMIC ROWER ASSEMBLY
2826	CHAIN WITH CONNECTOR ASSEMBLY DYNAMIC ROWER